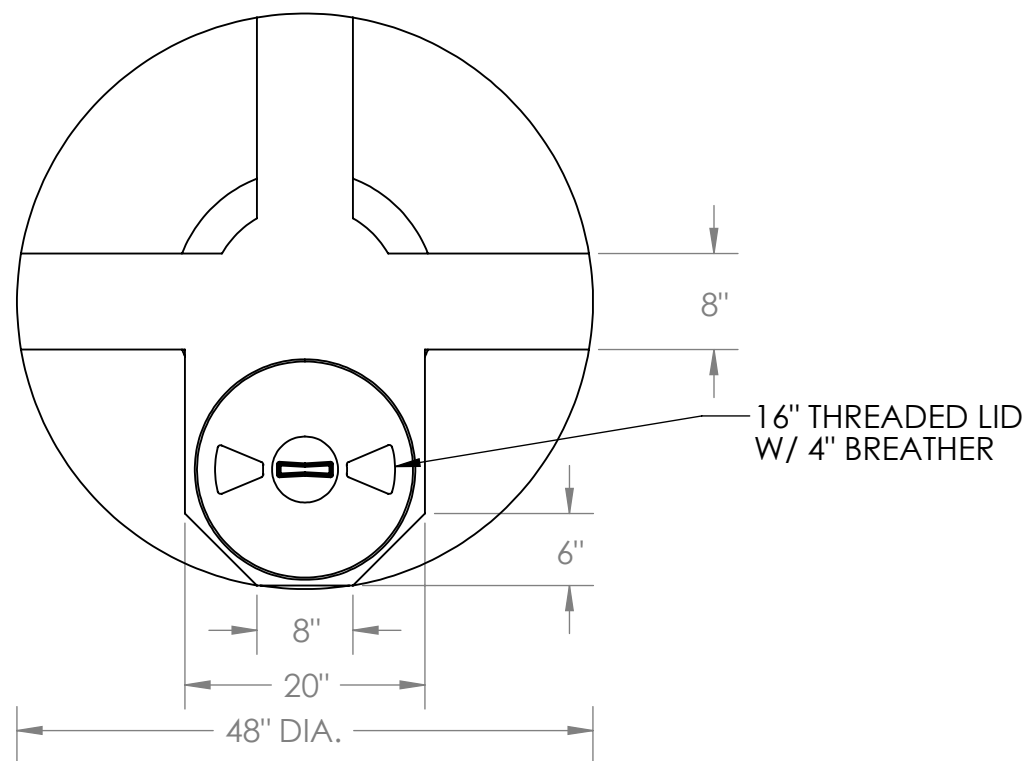
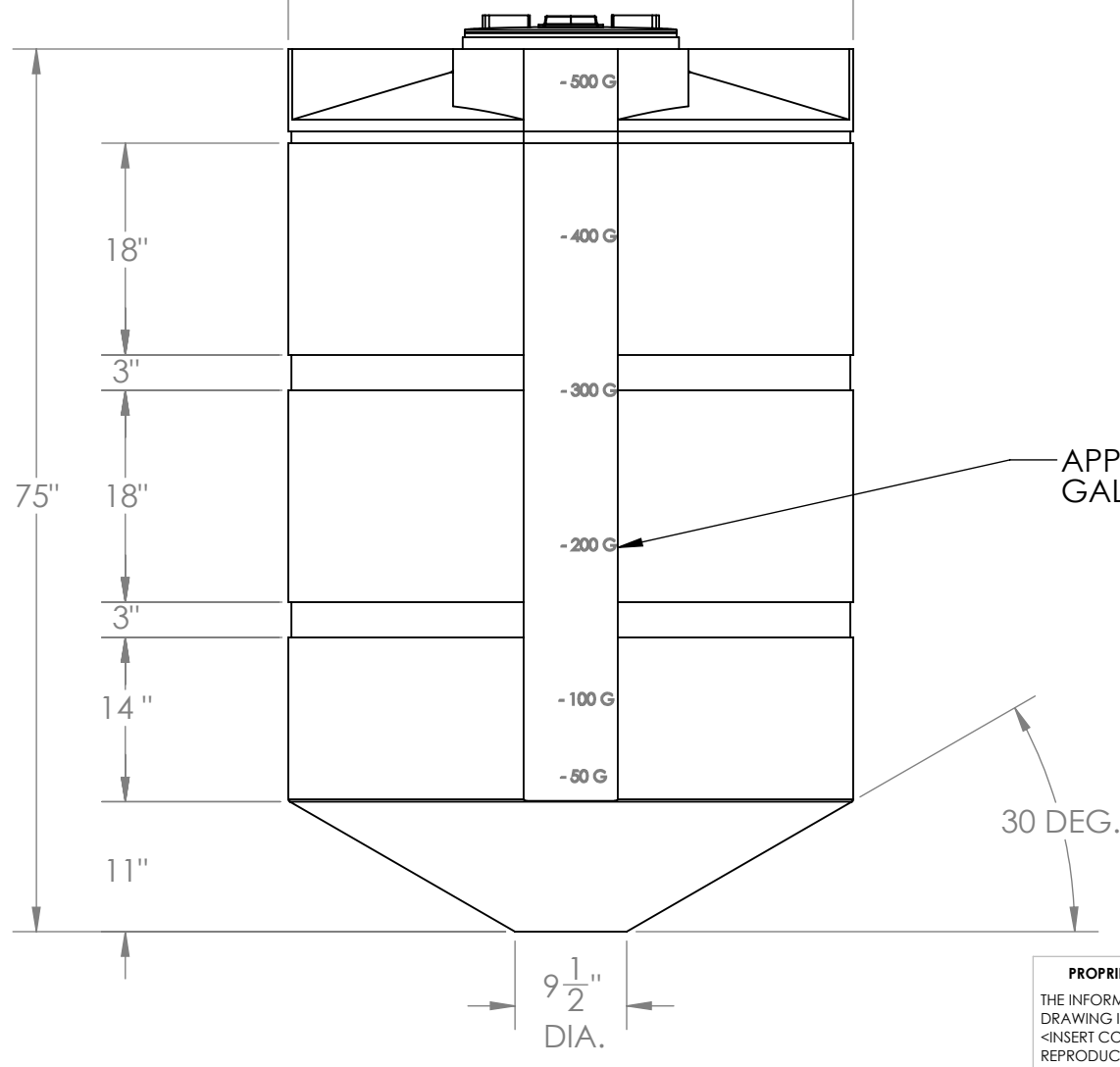


8 7 6 5 4 3 2 1

D
C
B
A



16" THREADED LID
W/ 4" BREATHER

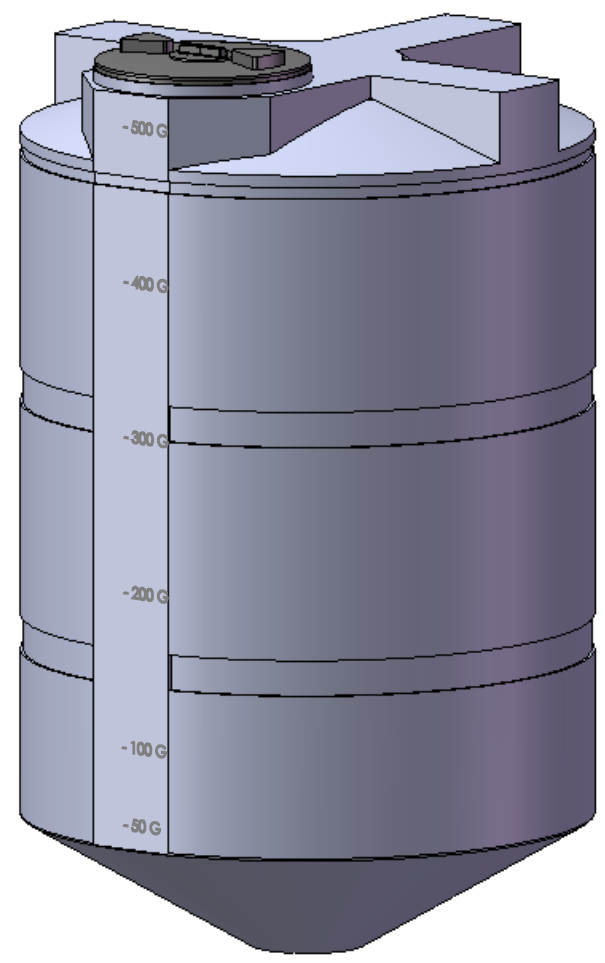


APPROX.
GALLON MARKERS

30 DEG.

9 1/2"
DIA.

PROPRIETARY AND CONFIDENTIAL
THE INFORMATION CONTAINED IN THIS DRAWING IS THE SOLE PROPERTY OF <INSERT COMPANY NAME HERE>. ANY REPRODUCTION IN PART OR AS A WHOLE WITHOUT THE WRITTEN PERMISSION OF <INSERT COMPANY NAME HERE> IS PROHIBITED.



- NOTES:
1. MATERIAL: POLYETHYLENE
 2. WEIGHT: 120 LBS
 3. RATED: 2.0 SG.

		UNLESS OTHERWISE SPECIFIED:		NAME	DATE	CUSTOM ROTO-MOLDING, INC.	
		DIMENSIONS ARE IN INCHES		DRAWN	EBW	10-17-08	TITLE: 500 CB. W/ 16.0 LID
		TOLERANCES:		CHECKED			
		FRACTIONAL ±		ENG APPR.			
		ANGULAR: MACH ± BEND ±		MFG APPR.			
		TWO PLACE DECIMAL ±		Q.A.			SIZE DWG. NO. REV B 500 CB
		THREE PLACE DECIMAL ±		COMMENTS:			
		INTERPRET GEOMETRIC TOLERANCING PER:					SCALE: 1:24 WEIGHT:
		MATERIAL					SHEET 1 OF 1
		FINISH					
NEXT ASSY	USED ON	DO NOT SCALE DRAWING					

8 7 6 5 4 3 2 1